



CERTIFICATE OF THOROUGH EXAMINATION & NDT FOR WIRE LINE CUTTER ASSEMBLY SR# 09122023

Client	HALLIBURTON	Report No:	HALL-01256-54
Item Description	Wire Line Cutter Assembly	Job No:	HALL-01256
General Scope of Activity	Wire Line Cutter Assembly	Date of Inspection	Sunday, 08 Jun 2025
Place of Inspection	WPS Yard	Valid Until:	Sunday, 07 Dec 2025
Reference Standards:	ASTM E709 & ASTM E 1444 (2016) ASME V Article 7 (2019), ASTM E165		

This is to certify that the undersigned did at the request of Halliburton, Al Burjesia Base attend their facilities at WPS Department on **Sunday, 08 Jun 2025** in order to carry out the scope of services as described below.

1.0 Scope of Activity:

- 1.1) Visual Inspection of Wire Line Cutter Assembly
- 1.2) Magnetic Particle Inspection (MPI).
- 1.3) Dye Penetrant Inspection (DPI)
- 1.4) Review of maintenance records and Previous reports
- 1.5) Issue of Report.

2.0 Summary of Inspection:

- 2.1) Thorough visual inspection of wire line cutter assembly was carried out and found satisfactory.
- 2.2) MPI was performed on wire line cutter assembly. The result was found satisfactory.
- 2.3) DPI was performed on wire line cutter assembly. The result was found satisfactory.
- 2.4) The maintenance record of the vehicle was reviewed.

3.0 Identification of item(s) verified & Details of Inspection:

A) Wire Line Cutter Assembly

serial number:	09122023
----------------	-----------------





CERTIFICATE OF THOROUGH EXAMINATION & NDT FOR WIRE LINE CUTTER ASSEMBLY SR# 09122023

3.1) Visual Inspection:

- The visual Inspection of the wire line cutter assembly were carried out as follows:
- The **wire line cutter assembly** were inspected for any visual damages, dents, cracks to the extent of accessibility. The results were satisfactory.

FINAL RESULT: PASS

3.2) Magnetic Particle Inspection (MPI):

3.3) Dye Penetrant Inspection (DPI)

Dye Penetrant Inspection was performed on the following components.:

Magnetic particle Inspection was performed on the following components.:

- **Wire Line Cutter Assembly**

FINAL RESULT: PASS

3.4) Review of maintenance Record:

The maintenance records and test reports were reviewed and found satisfactory

FINAL RESULT: PASS

4.0 CONCLUSION:

The above **wire line cutter assembly** was found to be in satisfactory condition after carrying out necessary inspection and tests subjected to proper maintenance according to manufacturer recommendation.



**AI TAKAMUL COMPANY FOR ENGINEERING TESTS
AND PROFESSIONAL SAFETY LIMITED**

Basra, North Rumaila, Quality Control Yard - Iraq

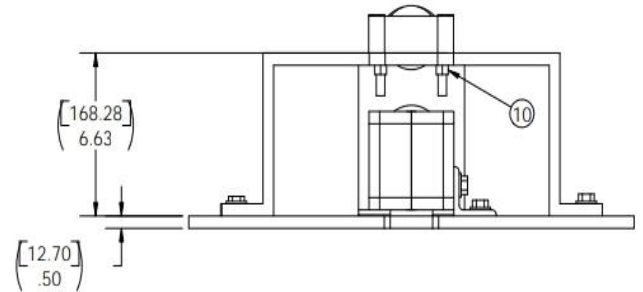
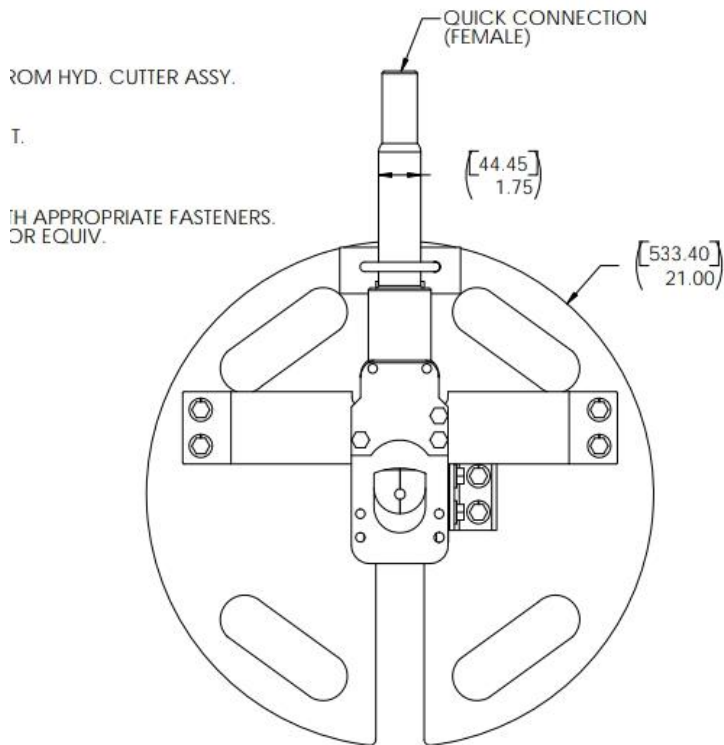
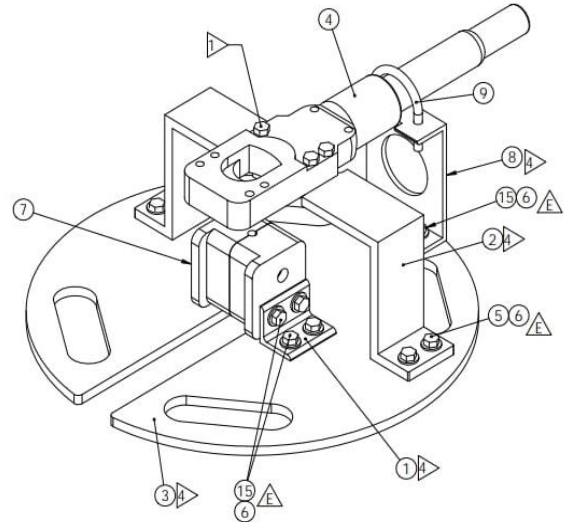
Tel: +9647810009138 / +9647834964657

Email: OP@qualitycontrol-iraq.com / hany.akafi@qualitycontrol-iraq.com



**CERTIFICATE OF THOROUGH EXAMINATION & NDT FOR WIRE LINE
CUTTER ASSEMBLY SR# 09122023**

15	-	M10 x 19mm BOLT
14	-	AIR HOSE - 100' - 150 PSI RATED
13	CR 400	FEMALE QUICK CONNECT - TO ATTACH TO PUMP
12	P-392	ENERPAC HAND PUMP
11	HC9250C	ENERPAC HOSE- Ø1/4 - 50' W/ MALE QUICK CNCT
10	-	M10 NUT
9	HF0088	U BOLT - Ø10mm x 75mcc
8	HF0086	CUTTER BRACE - WIRE LINE CUTTER ASSEMBLY
7	HF0085	GUIDE - ASSY - AIR LINE WIPER - W/ MODIFICATIONS
6	-	M10 LOCK WASHER
5	-	M10 x 25 mm BOLT
4	WHC 2000	ENERPAC CUTTER
3	HF0084	PLATE FOR WIRE LINE CUTTER - W.L. CUTTER ASSY
2	HF0083	CUTTER MOUNTING BRACKET - W.L. CUTTER ASSY
1	HF0082	BRACKET FOR LINER WIPER ASSEMBLY
0	HF0081	WIRE LINE CUTTER ASSEMBLY
ITEM NO.	PART OR IDENTIFYING #	NOMENCLATURE OR DESCRIPTION
PARTS LIST		



**AI TAKAMUL COMPANY FOR ENGINEERING TESTS
AND PROFESSIONAL SAFETY LIMITED**

Basra, North Rumaila, Quality Control Yard - Iraq

Tel: +9647810009138 / +9647834964657

Email: OP@qualitycontrol-iraq.com / hany.akafi@qualitycontrol-iraq.com



**CERTIFICATE OF THOROUGH EXAMINATION & NDT FOR WIRE LINE
CUTTER ASSEMBLY SR# 09122023**

serial number:	ITEM DESCRIPTION	Final Remarks
09122023	Wire Line Cutter Assembly	Satisfactory
Type of Inspection	Visual & Magnetic Particle Inspection	
Reference Standard	ASTM E709 & ASTM E 1444 (2016) ASME V Article 7 (2019)	



VISUAL, THOROUGH EXAMINATION	The above-mentioned equipment is visually Inspected and Found Free from Deformations, Corrosion, And Other Defects.
MAGNETIC PARTICLE INSPECTION	M.P.I Has Been Done on Available Critical Areas and Found Free from Cracks and Other Defects.
FINAL RESULTS	As Per the Client Specification, the Inspected Areas Was Accepted at The Time of Inspection Useable.

ASNT Level II Inspector Name:	Reviewed By:	Signature & Stamp	Client Signature & Stamp
M. Shahzad Ahmed	Hani Ali		

REV:01 DATED 20 JUNE 2022



AI TAKAMUL COMPANY FOR ENGINEERING TESTS
AND PROFESSIONAL SAFETY LIMITED

Basra, North Rumaila, Quality Control Yard - Iraq

Tel: +9647810009138 / +9647834964657

Email: OP@qualitycontrol-iraq.com / hany.akafi@qualitycontrol-iraq.com



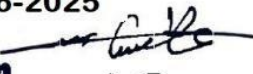


**CERTIFICATE OF THOROUGH EXAMINATION & NDT FOR WIRE LINE
CUTTER ASSEMBLY SR# 09122023**

Type of Inspection	Visual & Dye Penetrant Inspection	Satisfactory
Reference Standard	ASTM E165	

TECHNICAL DETAILS	TECHNIQUE 2 - TYPE II VISIBLE, METHOD 'A' WATER -WASHABLE		
PENETRANT DWELL TIME:	30 minutes	DEVELOPER DWELL TIME:	15 minutes
Test Part Temperature:	95 °F	WHITE LIGHT INTENSITY:	3524 LUX
VISUAL, THOROUGH EXAMINATION	The above-mentioned equipment is visually Inspected and Found Free from Deformations, Corrosion, And Other Defects.		
DYE PENETRANT INSPECTION	D.P.I Has Been Done on Available Critical Areas and Found Free from Cracks and Other Defects.		
FINAL RESULTS	As Per the Client Specification, the Inspected Areas Was Accepted at The Time of Inspection Use able.		

NDT Equipment Details					
Equipment	AC YOKE	Serial No:	201504048	Cal Due Date	07-OCT-2025
Equipment	Digital Lux Meter	Serial No:	2722003	Cal Due Date	09-OCT-2025
Equipment	AC-Yoke Test Block	Serial No:	1657	Cal Due Date	07-OCT-2025
White Contrast WCP-2	Magnaflux	Batch No:	230408	Expiry Date:	April-2026
Black Ink 7HF	Magnaflux	Batch No:	230604	Expiry Date:	June-2026
White Light Intensity:	3630 lux	Magnetic Partial Concentration 7HF		1.2 to 2.4 ml/100 ml	
Equipment	COMPARATOR BLOCK	Serial No:	11223	Cal Due Date	08-OCT-2025
Equipment	Digital Lux Meter	Serial No:	2722003	Cal Due Date	09-OCT-2025
Equipment	INFRARED THERMOMETER	Serial No:	201704125	Cal Due Date	07-OCT-2025
Red Penetrant	Manufacture: Magnaflux	Batch No:	230608	expire date	June-2026
Developer	Manufacture: Magnaflux	Batch No:	230608	expire date	June-2026

ASNT Level II / Inspector Name:	Reviewed By: NDT LEVEL II	Signature & Stamp	Client Signature & Stamp
M. Shahzad Ahmed	HANY ALY 		ALI Talib HB48903 Date: 09-06-2025 Signature  Haliburton

