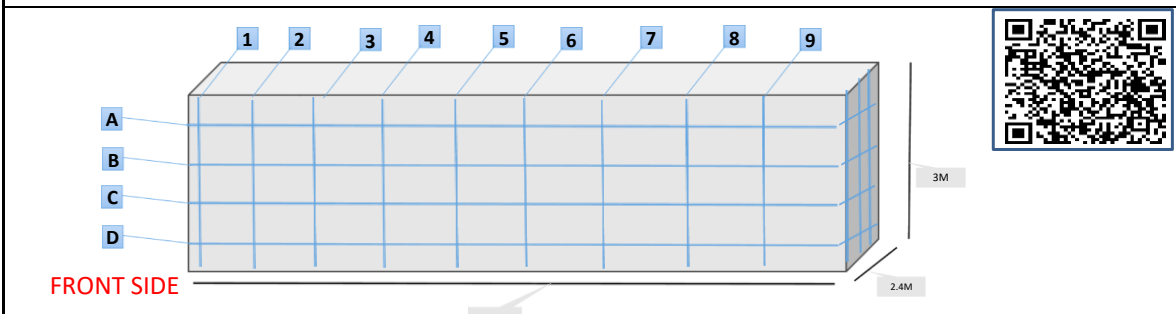


CERTIFICATE OF QUALIFICATION VISUAL AND ULTRASONIC THICKNESS GAUGING

THIS REPORT COMPLIES WITH RECOGNIZED INTERNATIONAL STANDARDS & TECHNICAL REQUIREMENTS

CLIENT:	DAQING DRILLING COMPANY	REPORT NO:	QC-DQ-10-24-0240-03
LOCATION:	RIG DQ022	STANDARD:	ASTM E709 & ASTM E797
JOB NO:	QC-BGG-10-24-0158	SPECIFICATION:	OEM Data Book
INSPECTION DATE:	22-Oct-2024	INSPECTION DUE DATE:	21-Oct-2025
TYPE OF INSPECTION:	CERTIFICATE OF QUALIFICATION VISUAL AND ULTRASONIC THICKNESS GAUGING		
DESCRIPTION:	Mud Tank	MFG SERIAL NO:	12-16-28
MANUFACTURER:	N/A	MFG YEAR :	N/A

INSPECTION DETAILS



POINT NO.	ANGLE	12M THICKNESS AT POSITION (mm)				MIN. THICKNESS	REMARKS
		A	B	C	D		
FRONT SIDE	1	5.80	5.27	4.82	5.34	3 mm As client	SATISFACTORY
	2	5.66	5.52	4.99	5.27	3 mm As client	
	3	5.45	5.51	5.12	5.16	3 mm As client	
	4	5.55	4.97	5.33	5.04	3 mm As client	
	5	4.94	5.43	5.16	4.92	3 mm As client	
	6	5.31	5.27	5.09	4.88	3 mm As client	
	7	5.20	5.04	4.97	5.11	3 mm As client	
	8	4.99	5.24	5.17	5.13	3 mm As client	
	9	5.02	5.32	5.24	5.36	3 mm As client	

INSPECTION RESULT

VT	Accepted	* According to ASTM E709.
UT	Accepted	** According to Procedure ASTM E797 & OEM Data Book.
Body	Accepted	*** These Are The Actual Readings Need To Follow As Per Manufacturing Date Book

Inspection Evaluation

V.T The Above Item Has No Significant Discontinuous At The Time Of Inspection And Found Acceptable

U.T The Above Item Was Found Acceptable As Per Acceptance Criteria ASTM E797 & OEM Data Book

INSPECTION EQUIPMENT DETAILS

INSPECTION EQUIPMENT DETAILS				TECHNICAL DETAILS			
AC YOKE S.N:	PY-09	CAL DUE DATE	14-Feb-2025	White Contrast WCP-2	MANUFACTURE	BATCH NO	EXPIRE DATE
Digital Lux Meter WHITE LIGHT	2722003	CAL DUE DATE	14-Feb-2025		Magnaflux	220602	JUN.2025
UT THICKNESS GAUGE:	520750	CAL DUE DATE	14-Feb-2025	Black Magnetic Ink 7HF	MANUFACTURE	BATCH NO	EXPIRE DATE
UT TEST BLOCK:	NoBo5088	CAL DUE DATE	14-Feb-2025		Magnaflux	220605	JULY.2025
ASTM Test Block:	1657	CAL DUE DATE	14-Feb-2025	Fluorescent Magnetic Ink 7HF	1.2 to 2.4 ml/100 ml		
WHITE LIGHT INTENSITY:	3640 lux		14-Feb-2025				

PERSON DETAILS

REVIEW BY

INSPECTOR NAME:	ABDULLAH MOFEEED	SENIOR INSPECTOR:	M.SARWAR	CLIENT:	
QUALIFICATION:	ASNT LEVEL II MT,RT,UT,VT.	INSPECTION SUPERVISOR:	RAO SOHAIL	HB&SIGN	
SIGNATURE & STAMP:				DATE:	

AI TAKAMUL COMPANY FOR ENGINEERING TEST AND PROFESSIONAL SAFETY LIMITED

Basra, North Rumaila, Quality Control Yard - Iraq

Tel: +9647810009138 / +9647834964657

Email: OP@qualitycontrol-iraq.com / hany.akafi@qualitycontrol-iraq.com



CERTIFICATE OF QUALIFICATION VISUAL AND ULTRASONIC THICKNESS GAUGING							
THIS REPORT COMPLIES WITH RECOGNIZED INTERNATIONAL STANDARDS & TECHNICAL REQUIREMENTS							
CLIENT:	DAQING DRILLING COMPANY	REPORT NO:	QC-DQ-10-24-0240-03A				
LOCATION:	RIG DQ022	STANDARD:	ASTM E709 & ASTM E797				
JOB NO:	QC-BGG-10-24-0158	SPECIFICATION:	OEM Data Book				
INSPECTION DATE:	22-Oct-2024	INSPECTION DUE DATE:	21-Oct-2025				
TYPE OF INSPECTION:	CERTIFICATE OF QUALIFICATION VISUAL AND ULTRASONIC THICKNESS GAUGING						
DESCRIPTION:	Mud Tank	MFG SERIAL NO:	12-16-28				
MANUFACTURER:	N/A	MFG YEAR :	N/A				
INSPECTION DETAILS							
POINT NO.	ANGLE	THICKNESS AT POSITION (mm)					REMARKS
		A	B	C	D	MIN. THICKNESS	
FRONT SIDE	1	5.11	5.15	5.19	5.39	3 mm As client	SATISFACTORY
	2	5.16	5.37	5.28	5.03	3 mm As client	
	3	4.96	5.23	5.33	5.19	3 mm As client	
	4	4.90	5.06	4.87	4.83	3 mm As client	
	5	5.12	4.85	5.05	4.90	3 mm As client	
	6	4.93	4.87	5.12	5.09	3 mm As client	
	7	5.03	5.05	5.39	5.11	3 mm As client	
	8	5.12	5.23	4.92	5.14	3 mm As client	
	9	5.44	4.93	4.97	5.30	3 mm As client	
INSPECTION RESULT							
VT	Accepted	* According to ASTM E709.					
UT	Accepted	** According to Procedure ASTM E797 & OEM Data Book.					
Body	Accepted	*** These Are The Actual Readings Need To Follow As Per Manufacturing Date Book					
Inspection Evaluation							
V.T The Above Item Has No Significant Discontinuous At The Time Of Inspection And Found Acceptable							
U.T-The Above Item Was Found Acceptable As Per Acceptance Criteria ASTM E797 & OEM Data Book							
INSPECTION EQUIPMENT DETAILS				TECHNICAL DETAILS			
AC YOKE S.N:	PY-09	CAL DUE DATE	14-Feb-2025	White Contrast WCP-2	MANUFACTURE	BATCH NO	EXPIRE DATE
Digital Lux Meter WHITE LIGHT	2722003	CAL DUE DATE	14-Feb-2025		Magnaflux	220602	JUN.2025
UT THICKNESS GAUGE:	520750	CAL DUE DATE	14-Feb-2025	Black Magnetic Ink 7HF	MANUFACTURE	BATCH NO	EXPIRE DATE
UT TEST BLOCK:	NoBo5088	CAL DUE DATE	14-Feb-2025		Magnaflux	220605	JULY.2025
ASTM Test Block:	1657	CAL DUE DATE	14-Feb-2025	Fluorescent Magnetic Ink 7HF	1.2 to 2.4 ml/100 ml		
WHITE LIGHT INTENSITY:	3640 lux		14-Feb-2025				
PERSON DETAILS		REVIEW BY					
INSPECTOR NAME:	ABDULLAH MOFEEED	SENIOR INSPECTOR:	M.SARWAR	CLIENT:			
QUALIFICATION:	ASNT LEVEL II MT, RT, UT, VT.	INSPECTION SUPERVISOR:	RAO SOHAIL	HB&SIGN			
SIGNATURE & STAMP:				DATE:			

Original - Client Files Copy - Area Office QC/FN/PT/077 Rev.00 DATED 07.NOV. 2021



AI TAKAMUL COMPANY FOR ENGINEERING TEST AND PROFESSIONAL SAFETY LIMITED

Basra, North Rumaila, Quality Control Yard - Iraq

Tel: +9647810009138 / +9647834964657

Email: OP@qualitycontrol-iraq.com / hany.akafi@qualitycontrol-iraq.com

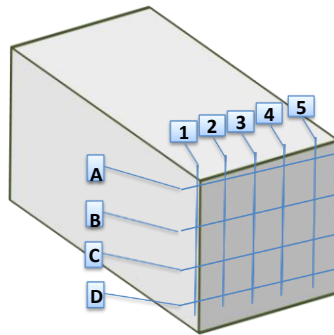


CERTIFICATE OF QUALIFICATION VISUAL AND ULTRASONIC THICKNESS GAUGING

THIS REPORT COMPLIES WITH RECOGNIZED INTERNATIONAL STANDARDS & TECHNICAL REQUIREMENTS

CLIENT:	DAQING DRILLING COMPANY	REPORT NO:	QC-DQ-10-24-0240-03B
LOCATION:	RIG DQ022	STANDARD:	ASTM E709 & ASTM E797
JOB NO:	QC-BGG-10-24-0158	SPECIFICATION:	OEM Data Book
INSPECTION DATE:	22-Oct-2024	INSPECTION DUE DATE:	21-Oct-2025
TYPE OF INSPECTION:	CERTIFICATE OF QUALIFICATION VISUAL AND ULTRASONIC THICKNESS GAUGING		
DESCRIPTION:	Mud Tank	MFG SERIAL NO:	12-16-28
MANUFACTURER:	N/A	MFG YEAR :	N/A

INSPECTION DETAILS



POINT NO.	ANGLE	THICKNESS AT POSITION (mm)					REMARKS
		A	B	C	D	MIN. THICKNESS	
FRONT SIDE	1	5.55	4.90	5.11	4.93	3 mm As client	SATISFACTORY
	2	5.14	4.96	5.04	4.85	3 mm As client	
	3	5.26	5.03	5.01	5.15	3 mm As client	
	4	5.33	5.13	4.98	5.24	3 mm As client	
	5	5.10	5.42	4.87	5.34	3 mm As client	

INSPECTION RESULT

VT	Accepted	* According to ASTM E709.
UT	Accepted	** According to Procedure ASTM E797& OEM Data Book.
Body	Accepted	*** These Are The Actual Readings Need To Follow As Per Manufacturing Date Book

Inspection Evaluation

V.T The Above Item Has No Significant Discontinuous At The Time Of Inspection And Found Acceptable

U.T-The Above Item Was Found Acceptable As Per Acceptance Criteria ASTM E797 & OEM Data Book

INSPECTION EQUIPMENT DETAILS				TECHNICAL DETAILS			
AC YOKE S.N:	PY-09	CAL DUE DATE	14-Feb-2025	White Contrast WCP-2	MANUFACTURE	BATCH NO	EXPIRE DATE
Digital Lux Meter WHITE LIGHT	2722003	CAL DUE DATE	14-Feb-2025		Magnaflux	220602	JUN,2025
UT THICKNESS GAUGE:	520750	CAL DUE DATE	14-Feb-2025	Black Magnetic Ink 7HF	MANUFACTURE	BATCH NO	EXPIRE DATE
UT TEST BLOCK:	NoBo5088	CAL DUE DATE	14-Feb-2025		Magnaflux	220605	JULY,2025
ASTM Test Block:	1657	CAL DUE DATE	14-Feb-2025	Fluorescent Magnetic Ink 7HF	1.2 to 2.4 ml/100 ml		
WHITE LIGHT INTENSITY:	3640 lux		14-Feb-2025				

PERSON DETAILS		REVIEW BY			
INSPECTOR NAME:	ABDULLAH MOFFED	SENIOR INSPECTOR:	M.SARWAR	CLIENT:	
QUALIFICATION:	ASNT LEVEL II (MT,RT,UT,VT)	INSPECTION SUPERVISOR:	RAO SOHAIL	HB&SIGN	
SIGNATURE & STAMP:				DATE:	

Original - Client Files Copy - Area Office QC/FN/PT/077 Rev.00 DATED 07.NOV. 2021



AI TAKAMUL COMPANY FOR ENGINEERING TEST AND PROFESSIONAL SAFETY LIMITED

Basra, North Rumaila, Quality Control Yard - Iraq

Tel: +9647810009138 / +9647834964657

Email: OP@qualitycontrol-iraq.com / hany.akafi@qualitycontrol-iraq.com

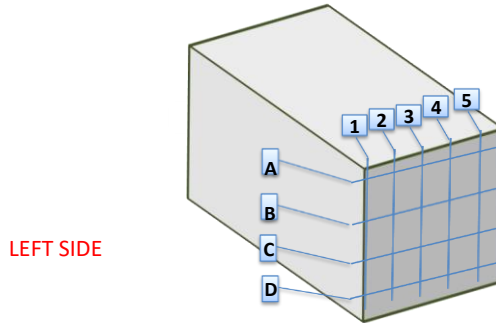


CERTIFICATE OF QUALIFICATION VISUAL AND ULTRASONIC THICKNESS GAUGING

THIS REPORT COMPLIES WITH RECOGNIZED INTERNATIONAL STANDARDS & TECHNICAL REQUIREMENTS

CLIENT:	DAQING DRILLING COMPANY	REPORT NO:	QC-DQ-10-24-0240-03C
LOCATION:	RIG DQ022	STANDARD:	ASTM E709 & ASTM E797
JOB NO:	QC-BGG-10-24-0158	SPECIFICATION:	OEM Data Book
INSPECTION DATE:	22-Oct-2024	INSPECTION DUE DATE:	21-Oct-2025
TYPE OF INSPECTION:	CERTIFICATE OF QUALIFICATION VISUAL AND ULTRASONIC THICKNESS GAUGING		
DESCRIPTION:	Mud Tank	MFG SERIAL NO:	12-16-28
MANUFACTURER:	N/A	MFG YEAR :	N/A

INSPECTION DETAILS



POINT NO.	ANGLE	THICKNESS AT POSITION (mm)					REMARKS
		A	B	C	D	MIN. THICKNESS	
FRONT SIDE	1	5.33	5.14	5.12	4.89	3 mm As client	SATISFACTORY
	2	5.27	5.08	5.27	4.99	3 mm As client	
	3	5.24	4.95	5.37	4.78	3 mm As client	
	4	5.19	4.89	5.32	5.12	3 mm As client	
	5	4.93	4.74	5.19	5.30	3 mm As client	

INSPECTION RESULT

VT	Accepted	* According to ASTM E709.
UT	Accepted	** According to Procedure ASTM E797& OEM Data Book.
Body	Accepted	*** These Are The Actual Readings Need To Follow As Per Manufacturing Date Book

Inspection Evaluation

V.T The Above Item Has No Significant Discontinuous At The Time Of Inspection And Found Acceptable

U.T-The Above Item Was Found Acceptable As Per Acceptance Criteria ASTM E797 & OEM Data Book

INSPECTION EQUIPMENT DETAILS				TECHNICAL DETAILS			
AC YOKE S.N:	PY-09	CAL DUE DATE	14-Feb-2025	White Contrast WCP-2	MANUFACTURE	BATCH NO	EXPIRE DATE
Digital Lux Meter WHITE LIGHT	2722003	CAL DUE DATE	14-Feb-2025		Magnaflux	220602	JUN,2025
UT THICKNESS GAUGE:	520750	CAL DUE DATE	14-Feb-2025	Black Magnetic Ink 7HF	MANUFACTURE	BATCH NO	EXPIRE DATE
UT TEST BLOCK:	NoBo5088	CAL DUE DATE	14-Feb-2025		Magnaflux	220605	JULY,2025
ASTM Test Block:	1657	CAL DUE DATE	14-Feb-2025	Fluorescent Magnetic Ink 7HF	1.2 to 2.4 ml/100 ml		
WHITE LIGHT INTENSITY:	3640 lux		14-Feb-2025				

PERSON DETAILS		REVIEW BY	
INSPECTOR NAME:	ABDULLAH MOFEEED	SENIOR INSPECTOR:	M.SARWAR
QUALIFICATION:	ASNT LEVEL II MT,RT,UT,VT.	INSPECTION SUPERVISOR:	RAO SOHAIL
SIGNATURE & STAMP:		CLIENT:	DATE:

Original - Client Files Copy - Area Office QC/FN/PT/077 Rev.00 DATED 07.NOV. 2021

