
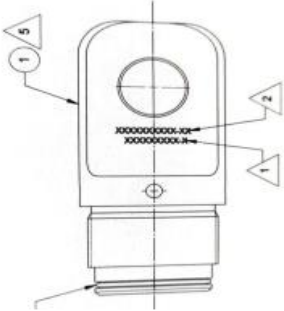

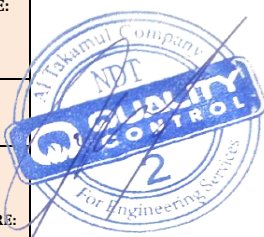
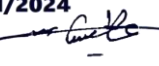


### CERTIFICATION OF VISUAL, THOROUGH EXAMINATION & MAGNETIC PARTICLE INSPECTION

<b>Client:</b>	HALLIBURTON	<b>Report No:</b>	QC/24/HALL-WPS-07	
<b>Location:</b>	WPS	<b>Job Number:</b>	250124	
<b>Date:</b>	24.JANUARY.2024	<b>Next Inspection Date:</b>	23.JULY.2024	
<b>Type Of Inspection:</b>	VISUAL , THOROUGH EXAMINATION & MAGNETIC PARTICLE INSPECTION	<b>Specification:</b>	DS-1 Volume 4- 5th Edition Halliburton Doc. (Visual Procedure D00305796 Revision U) Halliburton Doc. (MPI Procedure D00976850 Revision D)	
 	<b>UNIT DESCRIPTION:</b>	LIFTING CAP ( 3 1/4 - 8 STUB ACME ( 3 5/8 IQ) PIN		
	<b>UNIT S/N:</b>	IM2		
	<b>UNIT SWL:</b>	10000 LBS		
	<b>INSPECTION RESULT :</b>			
	<b>VISUAL , THOROUGH EXAMINATION</b>	unit fully inspected and found free from deforms, cracks, corrosion & mechanical damage		
<b>MAGNETIC PARTICLE INSPECTION</b>	Welds & forgn areas inspected and found free from cracks and other defects			
<b>FINAL RESULTS</b>	unit found satisfactory and free of defects at the time of inspection			
<b>COMMENT:</b>				
Magnetic Particle Inspection With A/C Hand Yoke , Black & White Contrast				

EQUIPMENT DETAILS						PERSON DETAILS		REVIEW BY	
<b>EQUIPMENT :</b>	AC/DC Yoke PERMANET HAND MAGNATIC	<b>EQUIPMENT :</b>	Shooting Coil DC	<b>EQUIPMENT :</b>	UV BLACK LIGHT: 3140 μw/cm <sup>2</sup>	<b>INSPECTOR NAME:</b> ASHRAF ELSAID		<b>SENIOR INSPECTOR:</b>	NAVEED HUSSAIN
<b>S.NO:</b>	201504048 USA PYO-019CM (PY-02)	<b>S.NO:</b>	22650	<b>S.NO:</b>	1932401			<b>SUPERVISOR:</b>	HANI ALI
<b>Cal Due Date:</b>	14.FEB.2024	<b>Cal Due Date:</b>	14.FEB.2024	<b>Cal Due Date:</b>	14.FEB.2024			<b>CLIENT:</b>	<b>ALI Talib HB48903</b> Date: 25/01/2024 Signature:  Haliburton
<b>FLUORESCENT 14HF</b>	Magnaflux	<b>Batch No:</b>	220306	<b>EXPIRE DATE:</b>	MARCH,2025				
<b>Whie Contrast Paint Manufacture:</b>	Magnaflux	<b>Batch No:</b>	220602	<b>EXPIRE DATE:</b>	JUN,2025				
<b>Digital Lux Meter WHITE LIGHT INTENSITY:</b>	<b>TECHNICAL DETAILS</b>				<b>Black Magnetic Ink Manufacture:7HF</b>	<b>STAMP &amp; SIGNATURE:</b>			
3350 Lux/S.NO:2722003	Wet FLUORESCENT Partide Concentration 14 HF		0.1 to 0.4 ml/100 ml		Batch No:220605				
16.FEB.2024	Black Magnetic Ink Concentration 7 HF		1.2 to 2.4 ml/100 ml		<b>EXPIRE DATE:</b>	Jul-25			